



On when
it counts.



Patent Pending

Certifications & Ratings

- ATEX Zones 1 & 21 and 2 & 22
Certificate numbers: IECEx BAS 10.0051X
Baseefa 10ATEX0092X
- CE Compliant to EN 55015-2006 & EN 61547
- ABS Assessed: # 11-LD678508-1-PDA
- Impact Rating to EN 50102: IK09
- IP66 rated
- RoHS compliant

Features & Benefits

- L70 rated for >100,000 hours @ 25°C ambient
- 5 year warranty
- Emergency battery backup version available
- Emergency exit kit and other sign options available
- Sandblasting cover protector available
- Class I Div, 2 versions available
- Instant on/off operation
- Mercury free, lead free
- Resistant to shock and vibration
- Red and Green LED colour available upon request

Mechanical Information:

Fixture weight: 11W & 22W - 5.75kg (10.50 lbs)
34W - 5.9kg (10.80 lbs)

Cabling: Factory Installed 10 metre cable

Electrical Specifications:

Operating Voltage: 11W & 22W - 100-277VAC, 50/60 Hz
or 24-48V DC
34W - 100-277VAC, 50/60 Hz

Total system power consumption: See table

Operating Temp: See temperature rating table

Harmonics: IEC 61000-3-2

Noise Requirements / EMC: FCC Title 47, Subpart B, Section 15, class B device. RF Immunity; 10V/m, 80MHz-1GHz

Transient protection: 1kV line to line, 2 kV line to ground

THD: <20%

Power Factor: > 0.9

Construction:

Housing: Copper free aluminum

Finish: Yellow epoxy powder coated (RAL 1018)

Mounting Bracket: 316 stainless steel

Lens: High impact resistant clear glass
High impact resistant frosted glass

Photometric Information:

CRI: 70

CCT: 4300K (neutral white)
5650K (cool white)

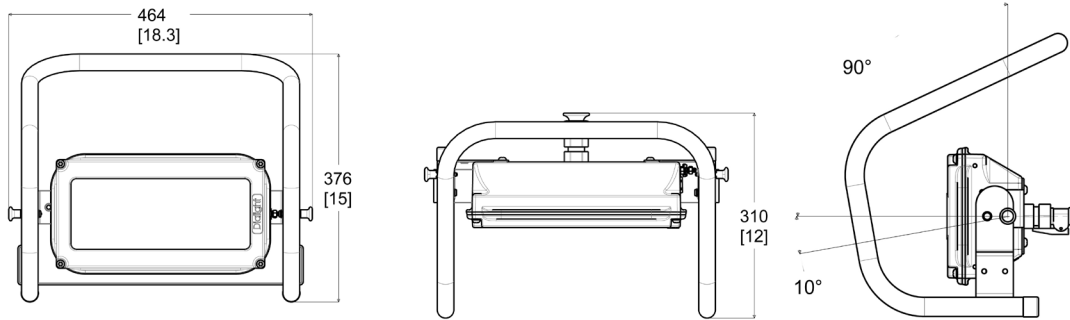
IES Files: see www.dialight.com

All values typical unless otherwise stated (tolerance +/- 10%)

Temperature Ratings

| | Ambient Temperature Range T5 Temperature Code | Ambient Temperature Range T6 Temperature Code |
|-----|--|--|
| 13W | -40°C to +60°C (-40°F to +140°F) | -40°C to +50°C (-40°F to +122°F) |
| 24W | -40°C to +60°C (-40°F to +140°F) | -40°C to +50°C (-40°F to +122°F) |
| 36W | -40°C to +50°C (-40°F to +122°F) | -40°C to +40°C (-40°F to +104°F) |

Bulkhead Dimensions



Dimensions are in mm [inches]

| Part Number | Initial Fixture Lumens | Wattage | Lm/W | IP Rating | Voltage | Colour Temperature (CCT) | Lens | Light Distribution |
|------------------|------------------------|---------|------|-----------|-------------|--------------------------|-------------|--------------------|
| TWA-2C3L-SYWC | 2,250 | 34 | 66 | IP66/67 | 100-277V AC | 5650K (cool white) | Clear Glass | Narrow |
| TWA-2N3L-SYWC | 2,250 | 34 | 66 | IP66/67 | 100-277V AC | 4300K (neutral white) | Clear Glass | Narrow |
| TWA-4C3L-SYWC | 2,250 | 34 | 66 | IP66/67 | 100-277V AC | 5650K (cool white) | Clear Glass | Oval (35° X 55°) |
| TWA-4N3L-SYWC | 2,250 | 34 | 66 | IP66/67 | 100-277V AC | 4300K (neutral white) | Clear Glass | Oval (35° X 55°) |
| 24-48V DC | | | | | | | | |
| TWA-2C2H-SYWC | 1,200 | 22 | 55 | IP66/67 | 24-48V DC | 5650K (cool white) | Clear Glass | Narrow |
| TWA-2N2H-SYWC | 1,200 | 22 | 55 | IP66/67 | 24-48V DC | 4300K (neutral white) | Clear Glass | Narrow |
| TWA-4C2H-SYWC | 1,200 | 22 | 55 | IP66/67 | 24-48V DC | 5650K (cool white) | Clear Glass | Oval (35° X 55°) |
| TWA-4N2H-SYWC | 1,200 | 22 | 55 | IP66/67 | 24-48V DC | 4300K (neutral white) | Clear Glass | Oval (35° X 55°) |

All values typical unless otherwise stated, Lumen values are typical (tolerance +/- 10%).

For frosted glass models replace the 12th character with an E TWA-2C3L-SYWC becomes TWA-2C3L-SYWE (Frosted lens option will reduce lumen output by 6%)



WP-CM-SB

- Sand blast shield

